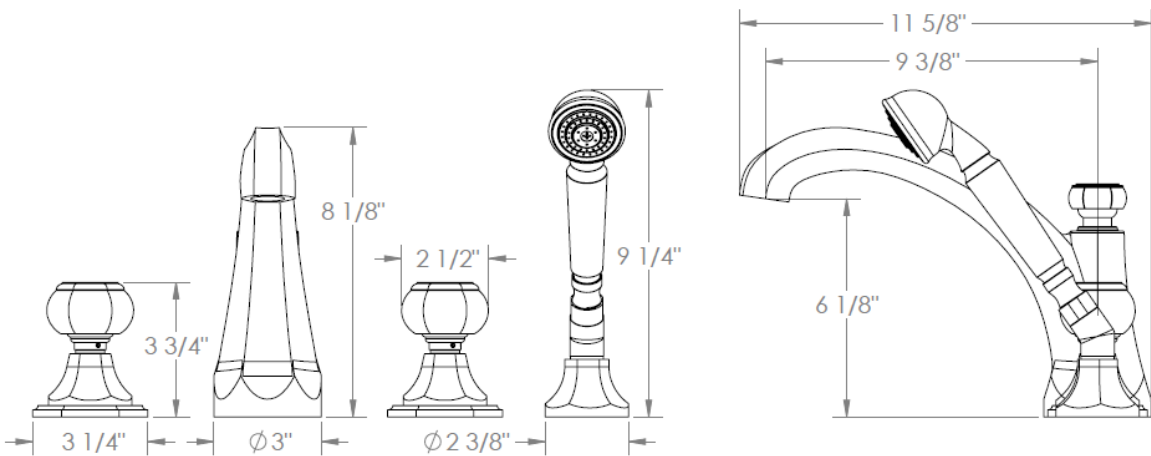


314-8.205.1-

Deck Mounted 5 Hole Extended Bath Set with Hand Shower
Hand Shower Flow Rate: 1.75 GPM

Note: Some building codes may require a remote pressure balance valve for anti-scald, such as the SS-PB50.



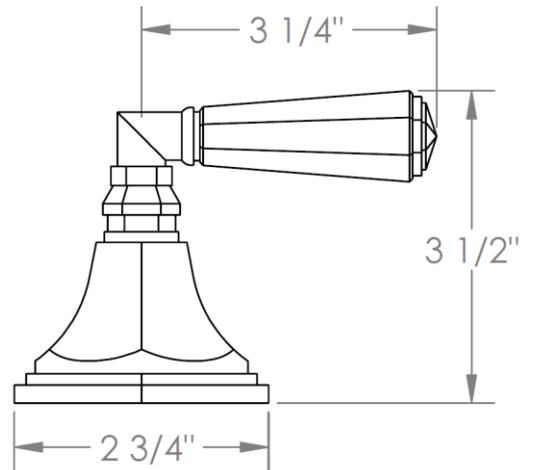
Meets the applicable requirements of ASME A112.18.1-2005/CSA B125.1-05, entitled "Plumbing Supply Fittings"

WATERMARK DESIGNS 7/27/2018

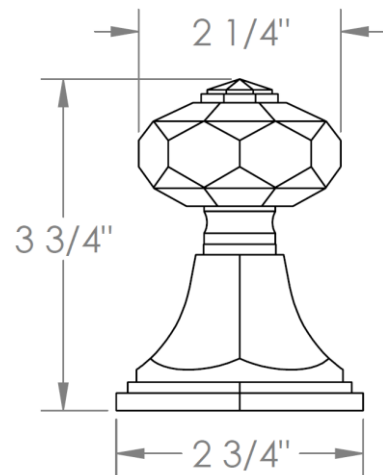
350 Dewitt Ave Brooklyn NY 11207 USA T 718 257 2800 F 718 257 2144 info@watermark-designs.com

HANDLE TRIM OPTIONS

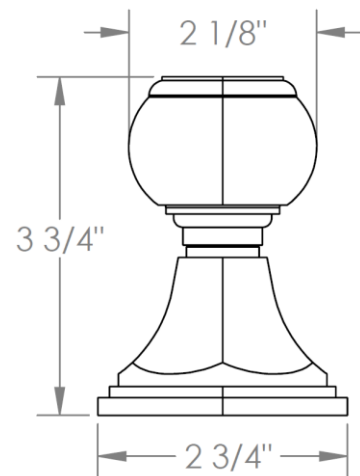
CRY4 – ROOSEVELT



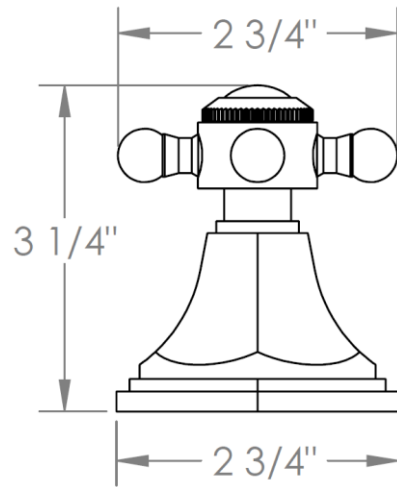
CRY5 – MARMONT



T6 – NEWTON



XX – SHETFIELD



YY – NEWPORT

